

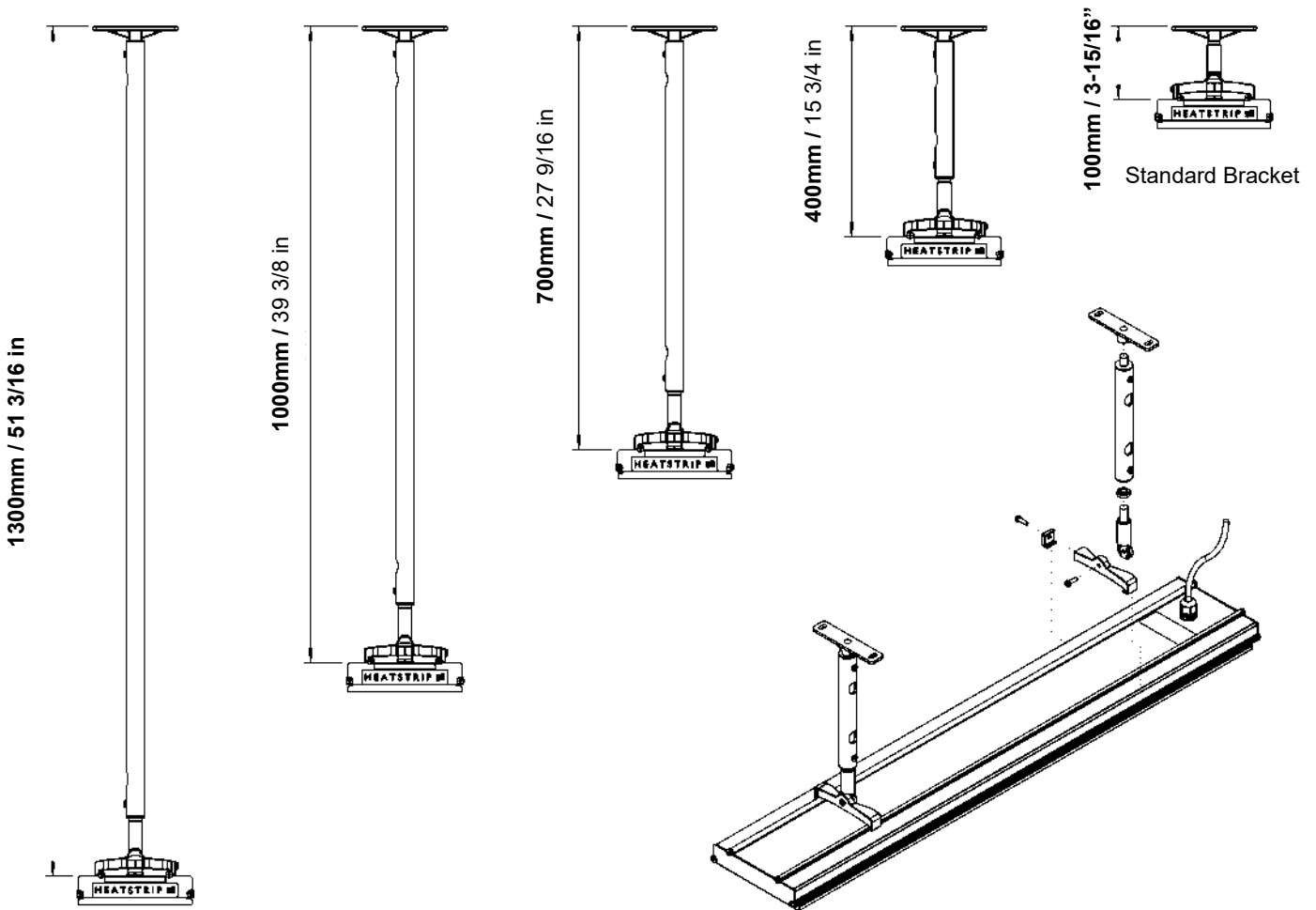


Extension Mount Bracket

The Extension Mount bracket allows HEATSTRIP® Classic units to be lowered from high ceilings using rigid connections. The brackets are designed to be used with 20mm x 20mm x 1mm tube (SHS), and can be supplied as brackets only for customising the length of the drop on site, or supplied as a complete kit with brackets, pre-cut poles and connections. The standard length options as part of the kit are (standard mounting bracket) 100mm (4"), 300mm (12"), 600mm (24"), 900mm (36") and 1200mm (48").

The extension mount brackets utilise components from the standard bracket kit which is supplied with each heater.

*screws to ceiling are not included



PART No	PACKAGED DIMENSIONS (mm)	WEIGHT (lbs)	MATERIALS	NOTES
THHAC-005	11 13/16" x 5 7/8" x 1 15/16" (300 x 150 x 50mm)	5 lbs (2 kgs)	ALLOY	Kit includes 2 x 300mm / 11 13/16" extension pole
THHAC-006	23 5/8" x 5 7/8" x 1 15/16" (600 x 150 x 50mm)	5 lbs (2 kgs)	ALLOY	Kit includes 2 x 600mm / 23 5/8" extension pole
THHAC-007	2'-11 7/16" x 5-7/8" x 1-15/16" (900 x 150 x 50mm)	6 lbs (2.5 kgs)	ALLOY	Kit includes 2 x 900mm / 35 7/16" extension pole
THHAC-008	47 1/4" x 5-7/8" x 1-15/16" (1200 x 150 x 50mm)	7 lbs (3 kgs)	ALLOY	Kit includes 2 x 1200mm / 47 1/4" extension pole