

# HEATSTRIP®

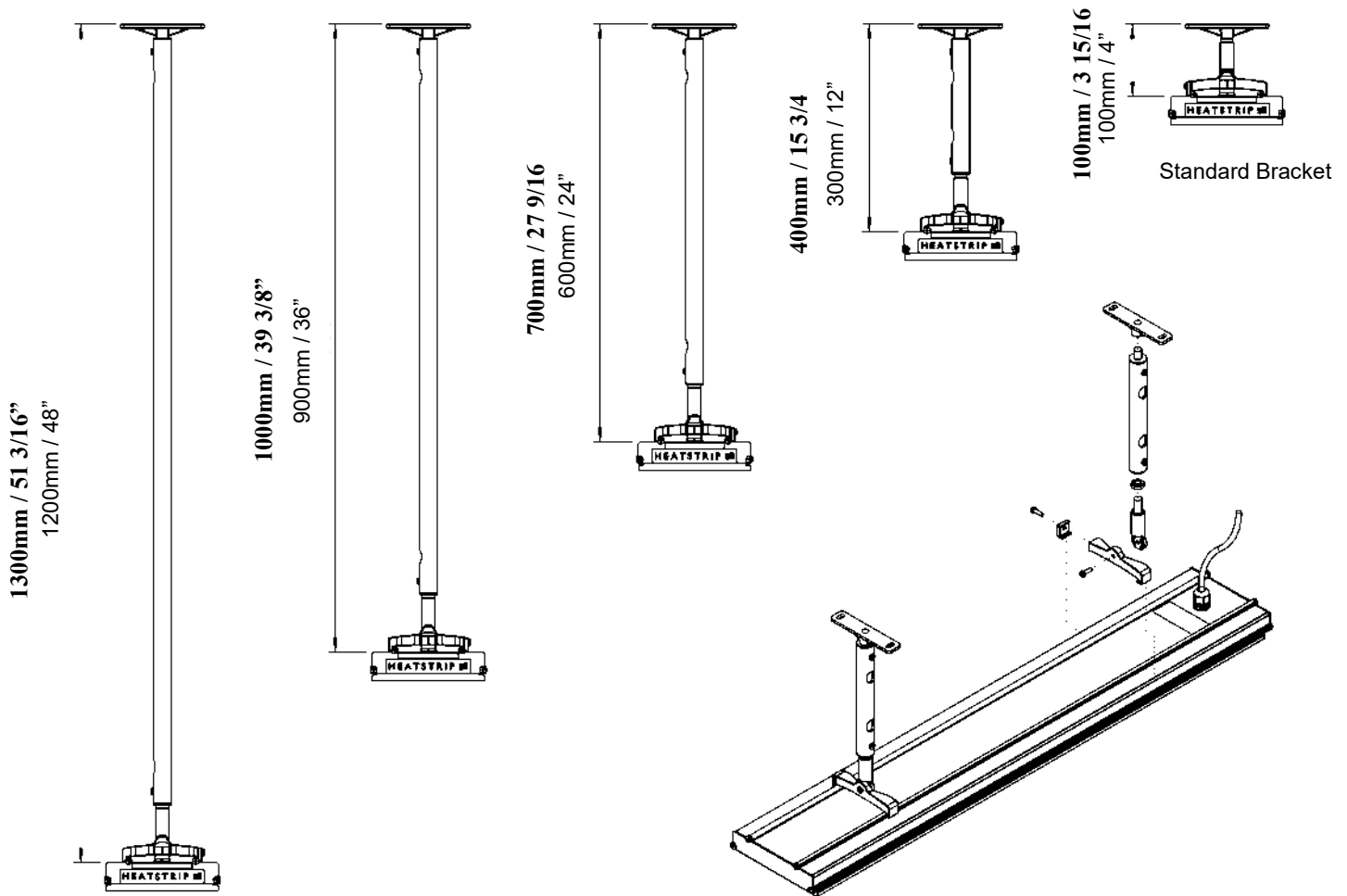


## Extension Mount Bracket

The Extension Mount bracket allows HEATSTRIP® Classic with Remote and app black units to be lowered from high ceilings using rigid connections. The brackets are designed to be used with 20mm x 20mm x 1mm tube (SHS), and can be supplied as brackets only for customising the length of the drop on site, or supplied as a complete kit with brackets, pre-cut poles and connections. The standard length options as part of the kit are (standard mounting bracket) 100mm (3 15/16"), 300mm (11 13/16"), 600mm (23 5/8"), 900mm (35 7/16") and 1200mm (47 1/4").

The extension mount brackets utilise components from the standard bracket kit which is supplied with each heater.

\*screws to ceiling are not included



PART No	PACKAGED DIMENSIONS (mm)	WEIGHT (lbs)	MATERIALS	NOTES
THYAC-047	11 13/16" x 13/16" x 13/16" (300 x 20 x 20mm)	5 lbs (2 kgs)	ALLOY	Kit includes 2 x 12" (300mm / 11 13/16") extension pole
THYAC-048	23 5/8" x 13/16" x 13/16" (600 x 20 x 20mm)	5 lbs (2 kgs)	ALLOY	Kit includes 2 x 24" (600mm / 23 5/8") extension pole
THYAC-049	35 7/16" x 13/16" x 13/16" (900 x 20 x 20mm)	6 lbs (2.5 kgs)	ALLOY	Kit includes 2 x 36" (900mm / 35 7/16") extension pole
THYAC-050	47 1/4" x 13/16" x 13/16" (1200 x 20 x 20mm)	7 lbs (3 kgs)	ALLOY	Kit includes 2 x 48" (1200mm / 47 1/4") extension pole