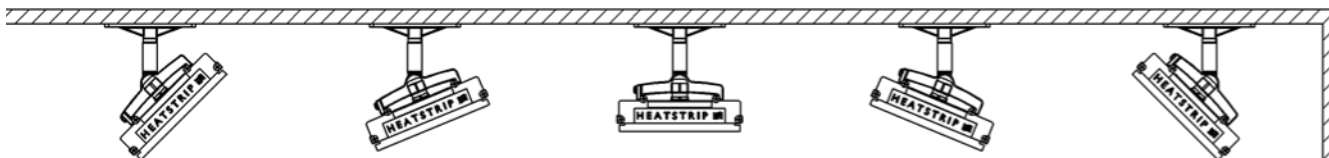


HEATSTRIP®

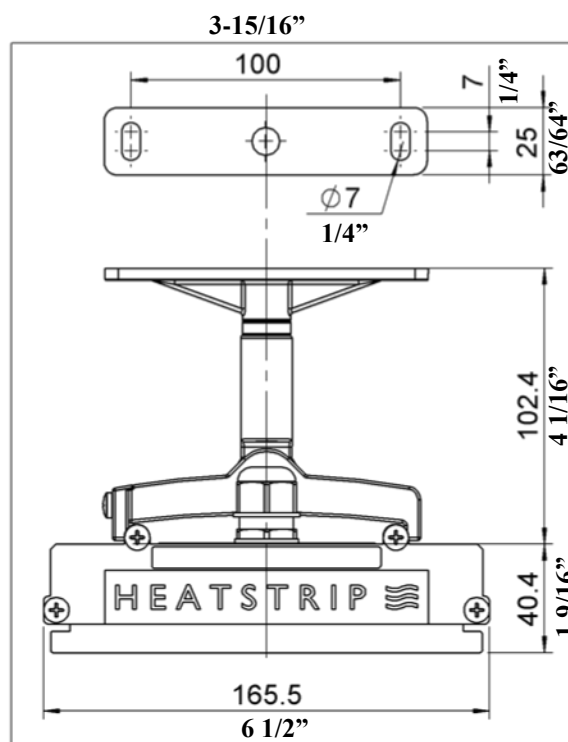
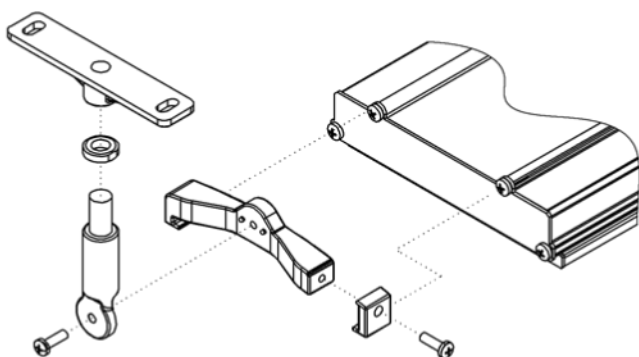
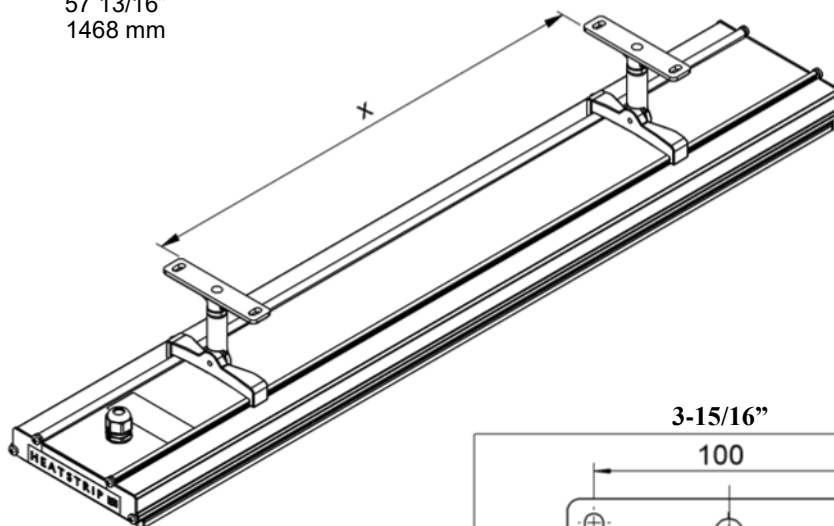


Standard mounting brackets

The HEATSTRIP® Classic comes with a pair of standard mounting brackets. These adjustable brackets allow direct ceiling or wall mount, and come with preset angle options of parallel, 22.5° and 45°.



MODEL	"X" MINIMUM DISTANCE inches (") & mm
X-THH2400US-A	39 5/16" 998 mm
X-THH3200US-A	57 13/16" 1468 mm



PART No	PACKAGED DIMENSIONS (mm/inch)	WEIGHT (lbs)	MATERIAL
ZBRAK-113S	125 x 150 x 40mm 4 15/16" x 5 7/8" x 1 9/16"	0.44	ALLOY