

# HEATSTRIP®



## Standard mounting brackets

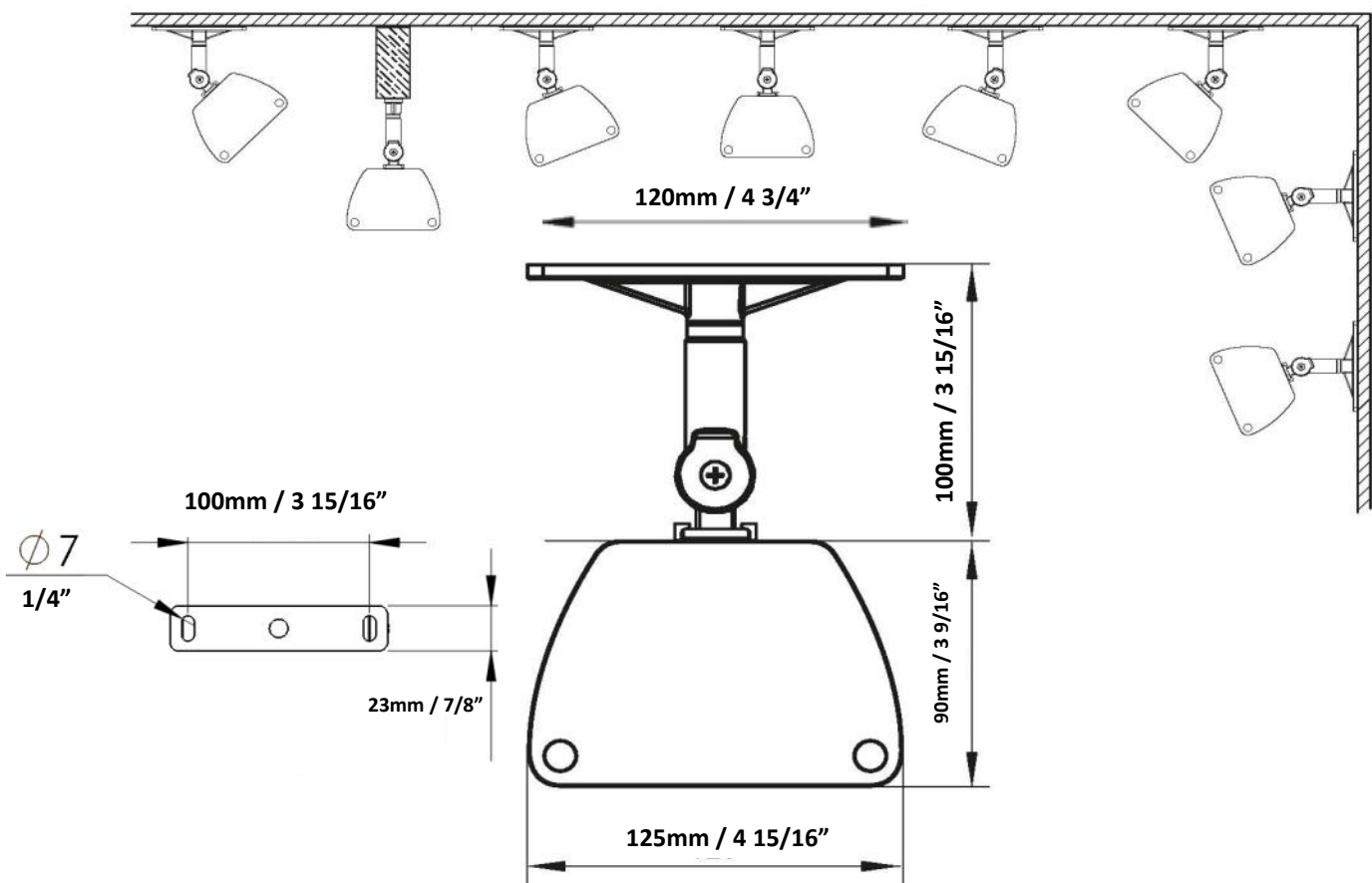
The HEATSTRIP® *Intense with remote & app control* comes with a pair of standard mounting brackets. These adjustable brackets allow direct ceiling or wall mount, and come with pre-set angle options of parallel, 22.5° and 45°.

The flexible standard mounting bracket can be turned 90 degrees to mount onto a beam, it can also be used to suspend with chains.

The brackets need to be mounted onto a secure frame or wall with a minimum distance between the two brackets. The minimum distance ("B") for each model is listed on the next page. All dimensions shown below are in (").

When completing the installation, ensure all screws are tight and unit is secure.

**Note:** When suspension mounting, chains are not included.



## Standard Mounting Bracket

PART No	PACKAGED DIMENSIONS (mm/inches)	WEIGHT (kg/lbs)	MATERIALS	COLOUR
ZBRAK-132W	125 x 100 x 40mm 4 15/16" x 3 15/16" x 1 9/16"	0.2 0.44lbs	ANODISED	WHITE