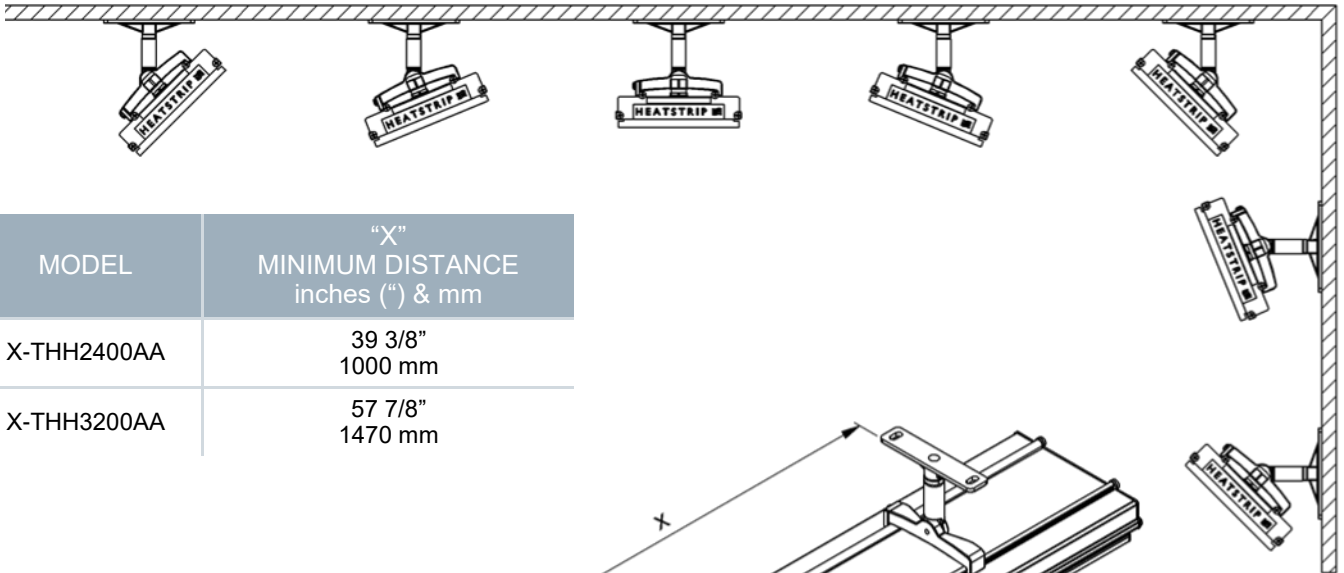


# HEATSTRIP®

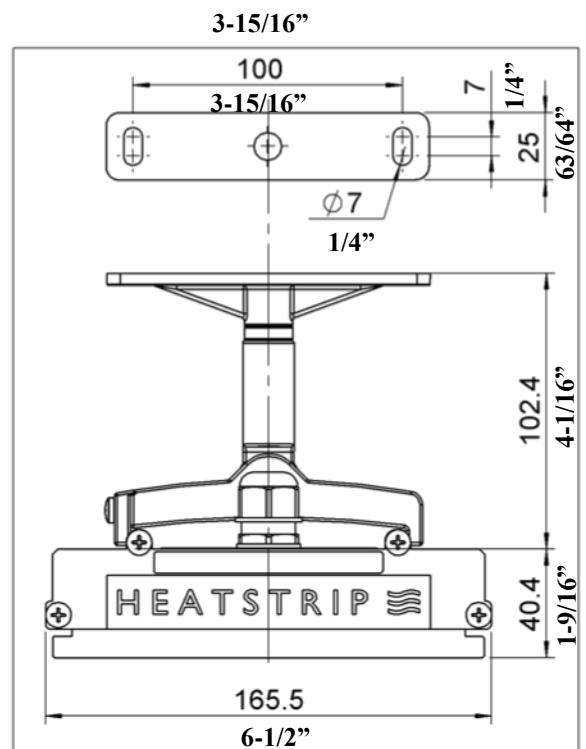
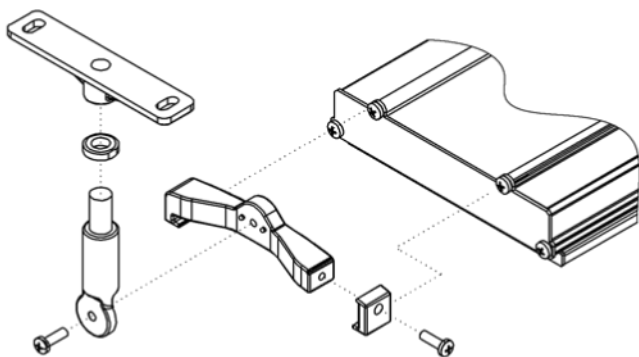


## Standard mounting brackets

The HEATSTRIP® Classic comes with a pair of standard mounting brackets. These adjustable brackets allow direct ceiling or wall mount, and come with preset angle options of parallel, 22.5° and 45°.



MODEL	"X" MINIMUM DISTANCE inches (") & mm
X-THH2400AA	39 3/8" 1000 mm
X-THH3200AA	57 7/8" 1470 mm



PART No	PACKAGED DIMENSIONS (mm/inch)	WEIGHT (lbs)	MATERIAL
ZBRAK-113B	125 x 150 x 40mm 4-15/16" x 5-7/8" x 1-9/16"	0.44	ALLOY